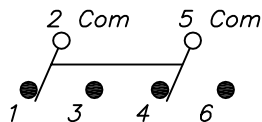


RECOMMENDED P.C.B. LAYOUT  
NOT TO SCALE

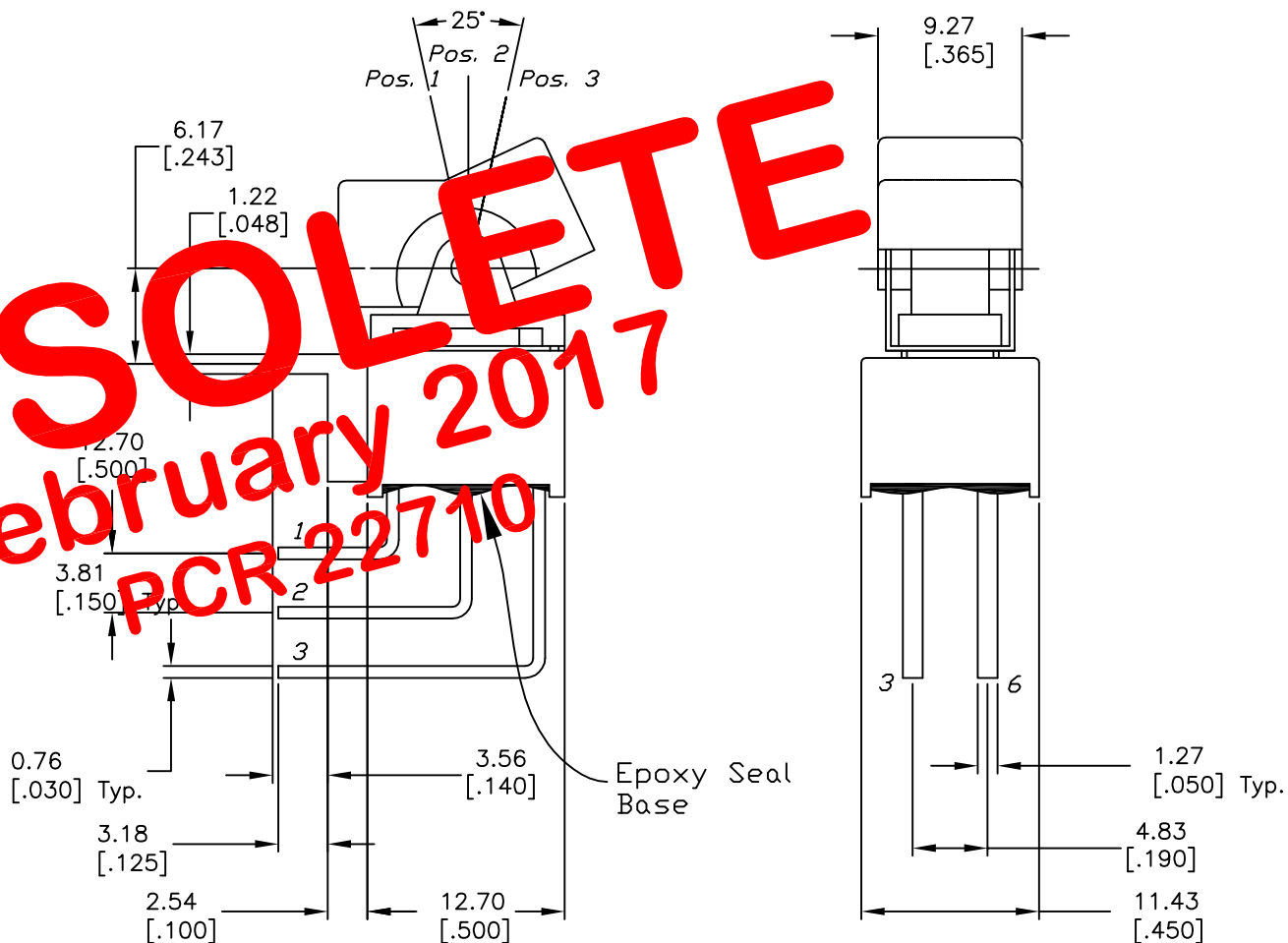
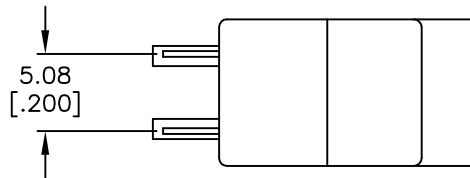


CIRCUIT: 2PDT

SWITCH FUNCTION		
POS. 1	POS. 2	POS. 3
ON	NONE	ON
2-3, 5-6	OPEN	2-1, 5-4

NOTES:

- ALL DIMENSIONS IN MM [INCH]
- GENERAL TOLERANCE: X.X=±0.4  
X.XX=±0.25
- TERM. NOS. FOR REFERENCE ONLY.
- RATING: 0.4VA MAX. @ 20VDC OR AC
- FIXED TERMINAL/MOVING CONTACT:  
COPPER ALLOY W/SILVER PLATING
- ELECTRICAL LIFE: 40,000 make & break CYCLES  
@FULL LOAD.
- INSULATION RESISTANCE: 1000MEGA-OHMS min.
- DIELECTRIC STRENGTH: 1000V RMS@ SEA LEVEL
- OPERATING TEMPERATURE: -30°C to +85°C
- ROCKER MATERIAL: NYLON BLACK STD. (UL94HB)



OBSOLETE  
 February 2017  
 PCR 22710

**E-SWITCH®**

TITLE				
300A WDP-1 J1 BLK M7 RE				
SCALE	DATE	DR	DWG	REV
2:1	2/25/03	CJB	T301040	A

THE INFORMATION CONTAINED IN THIS DOCUMENT IS PROPRIETARY TO E-SWITCH AND IS NOT TO BE COPIED OR TRANSFERRED